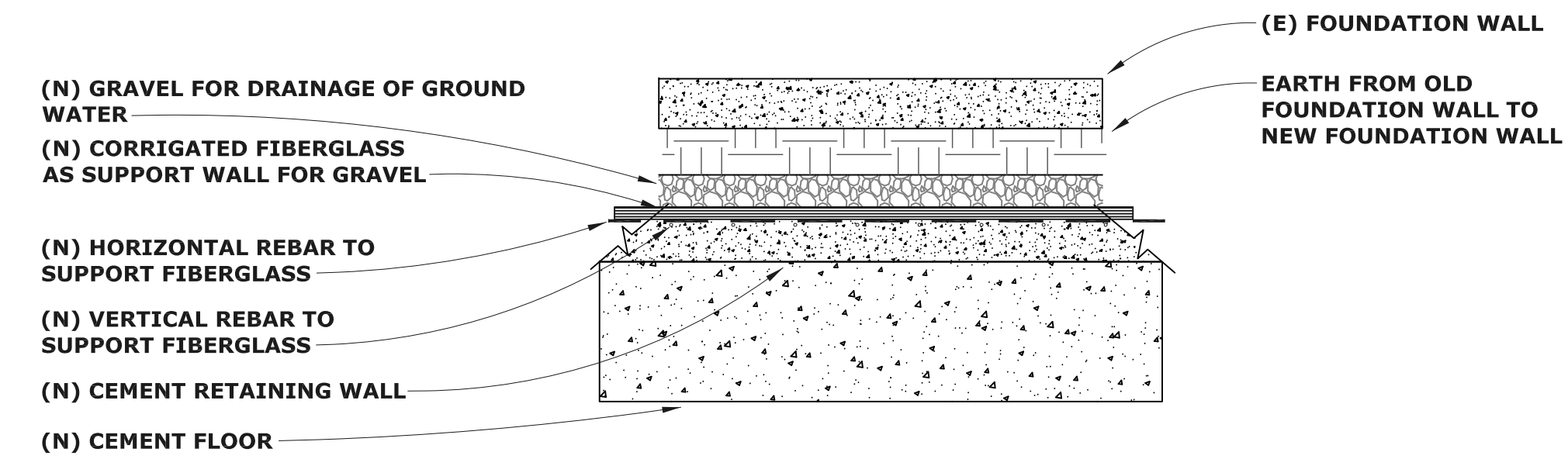


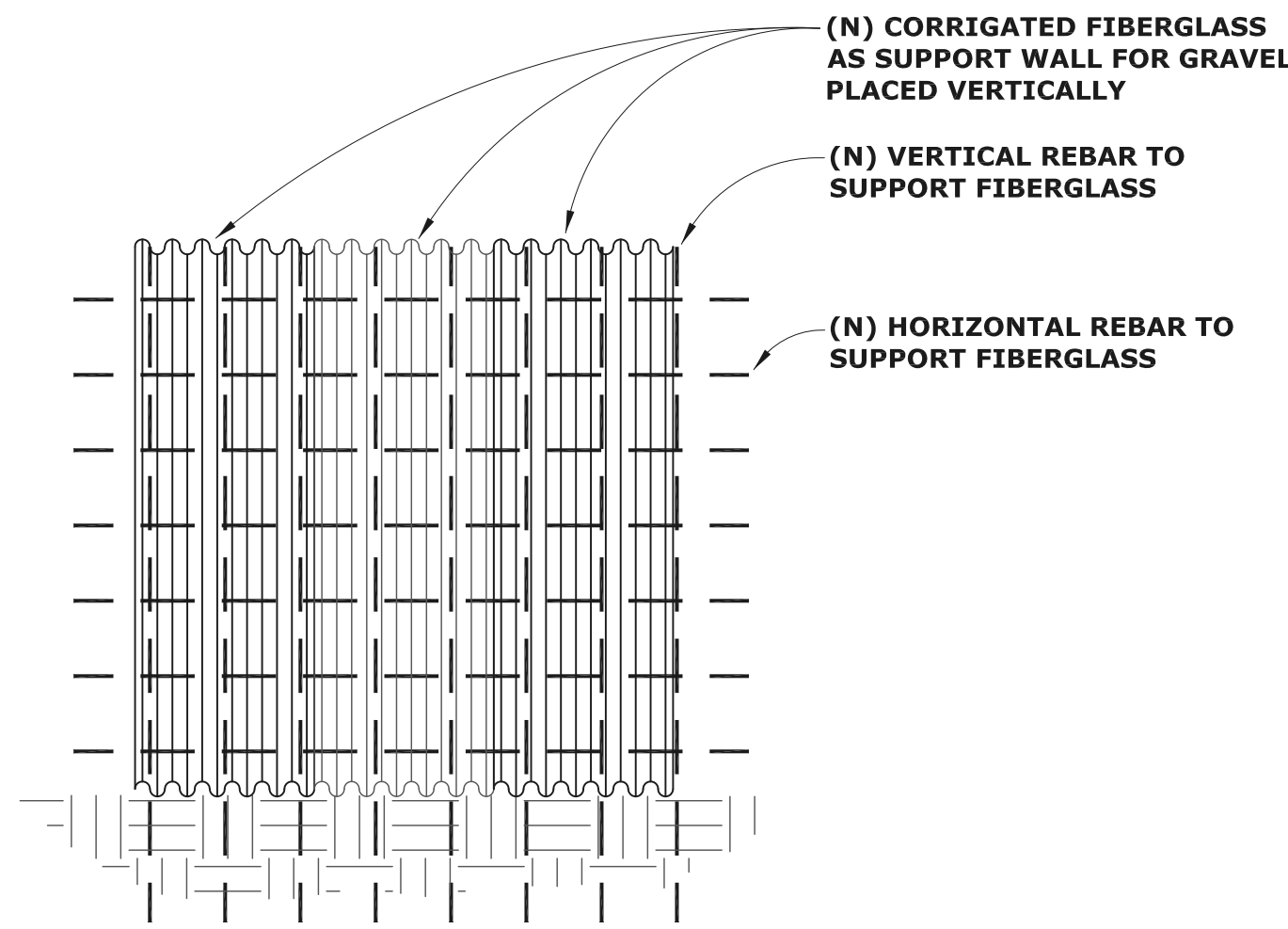
1 PLAN FOR VERTICLE DRAINAGE SYSTEM

SCALE: 1/2" = 1'-0"



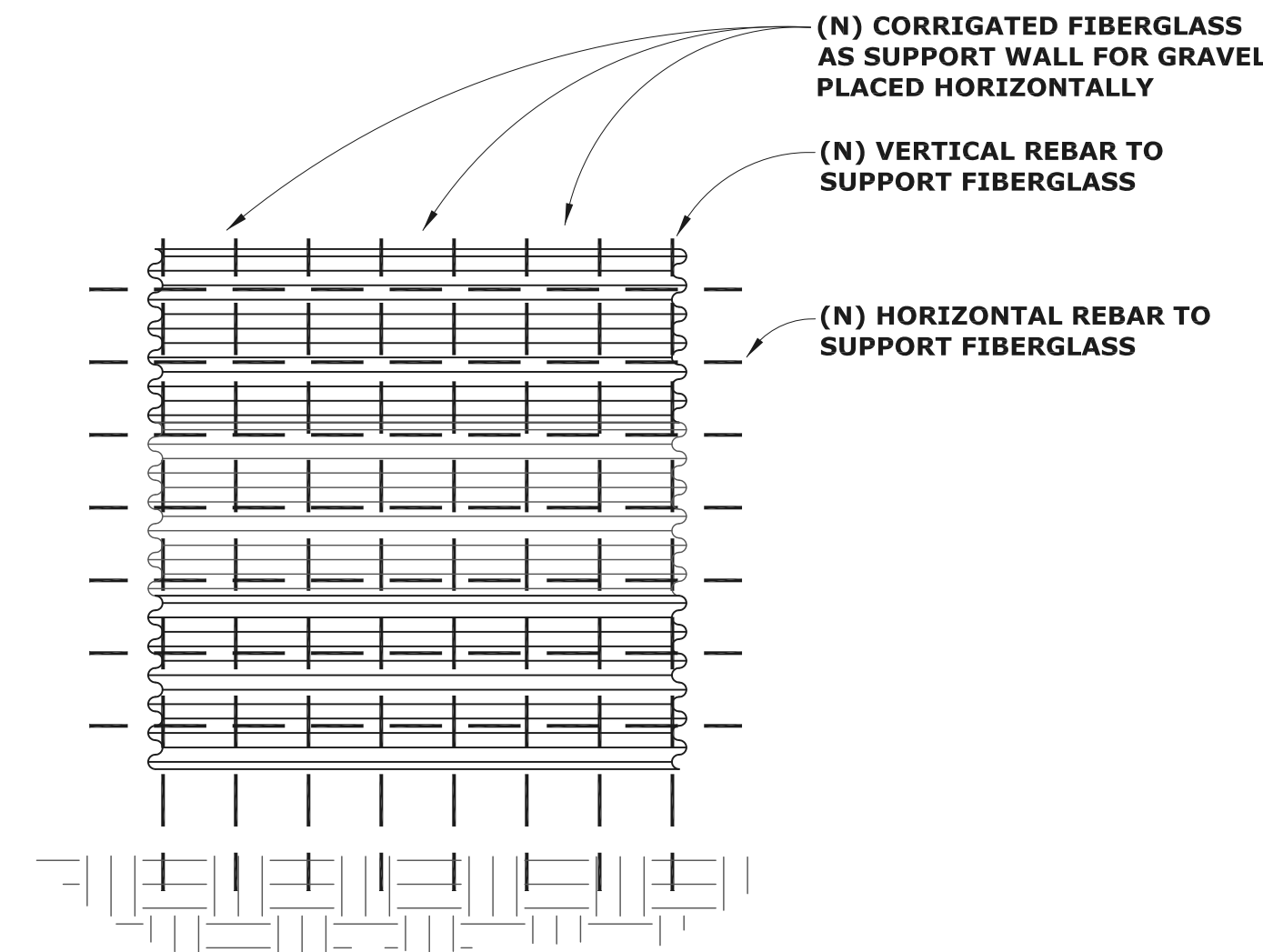
1 PLAN FOR HORIZONTAL DRAINAGE SYSTEM

SCALE: 1/2" = 1'-0"



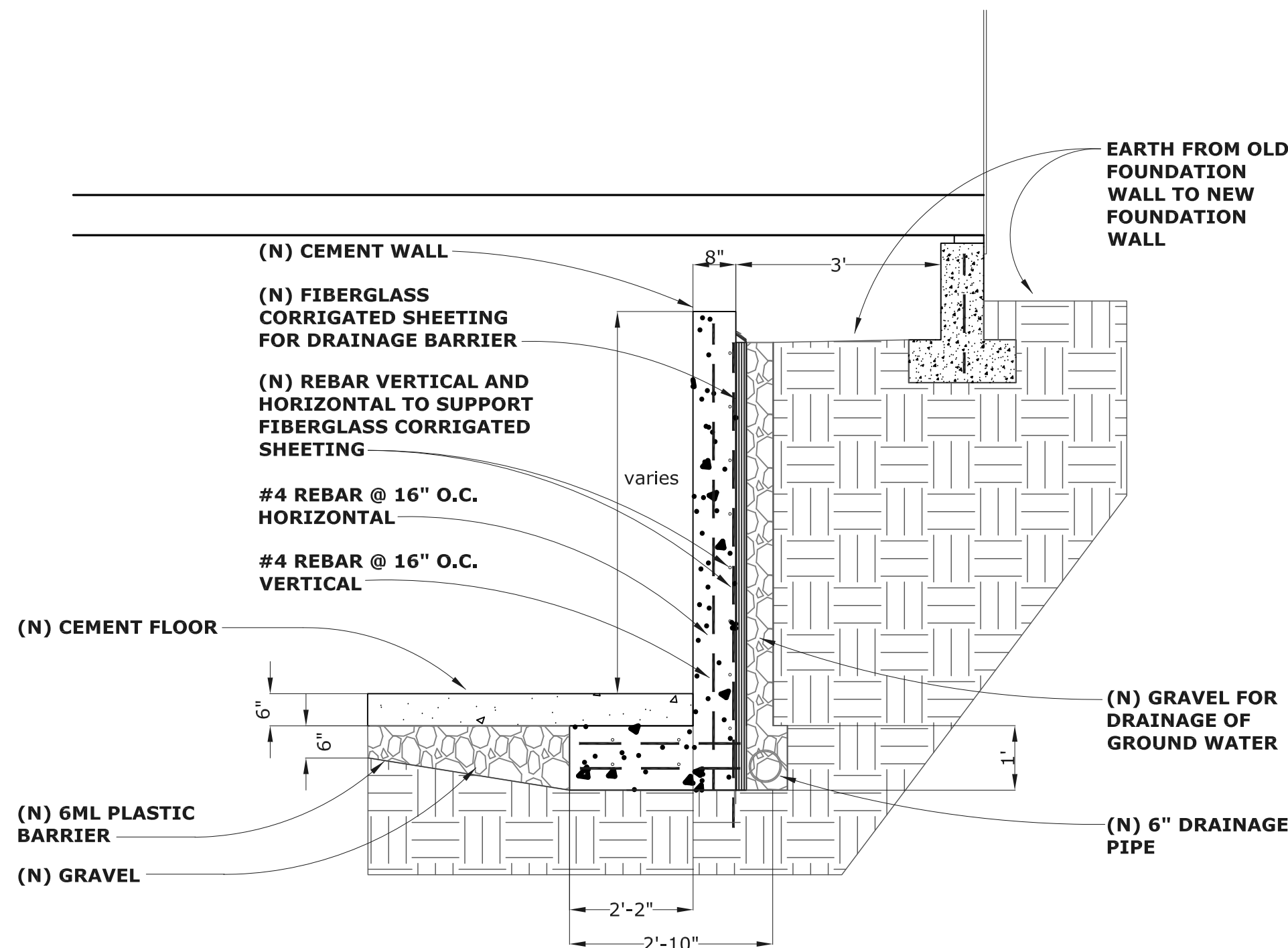
2 ELEVATION FOR VERTICLE DRAINAGE SYSTEM

SCALE: 1/2" = 1'-0"



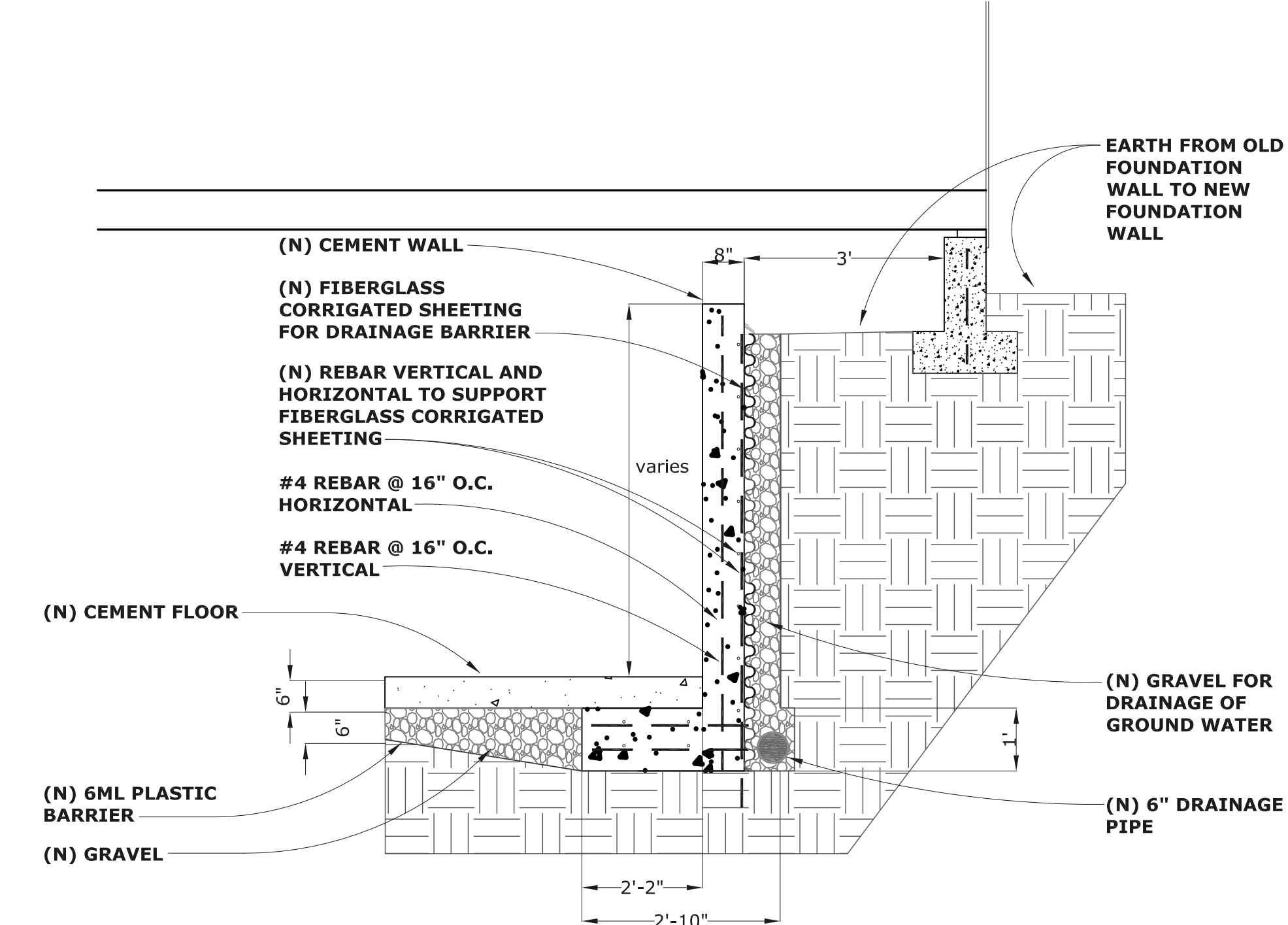
2 ELEVATION OF HORIZONTAL DRAINAGE SYSTEM

SCALE: 1/2" = 1'-0"



3 SECTION FOR VERTICLE DRAINAGE SYSTEM

SCALE: 1/2" = 1'-0"



3 SECTION FOR HORIZONTAL DRAINAGE SYSTEM

SCALE: 1/2" = 1'-0"

REVISIONS

No.	By	Date
△	ME	03.07.07
△	ME	03.12.07
△	ME	04.06.09

DATE: 02.15.2007

DRAWN: ME

SCALE: AS SHOWN

JOB# 2006-01

SHEET NAME:

DRAINAGE - NEW FOUNDATION

SHEET NUMBER

A4.1

OF SHEET