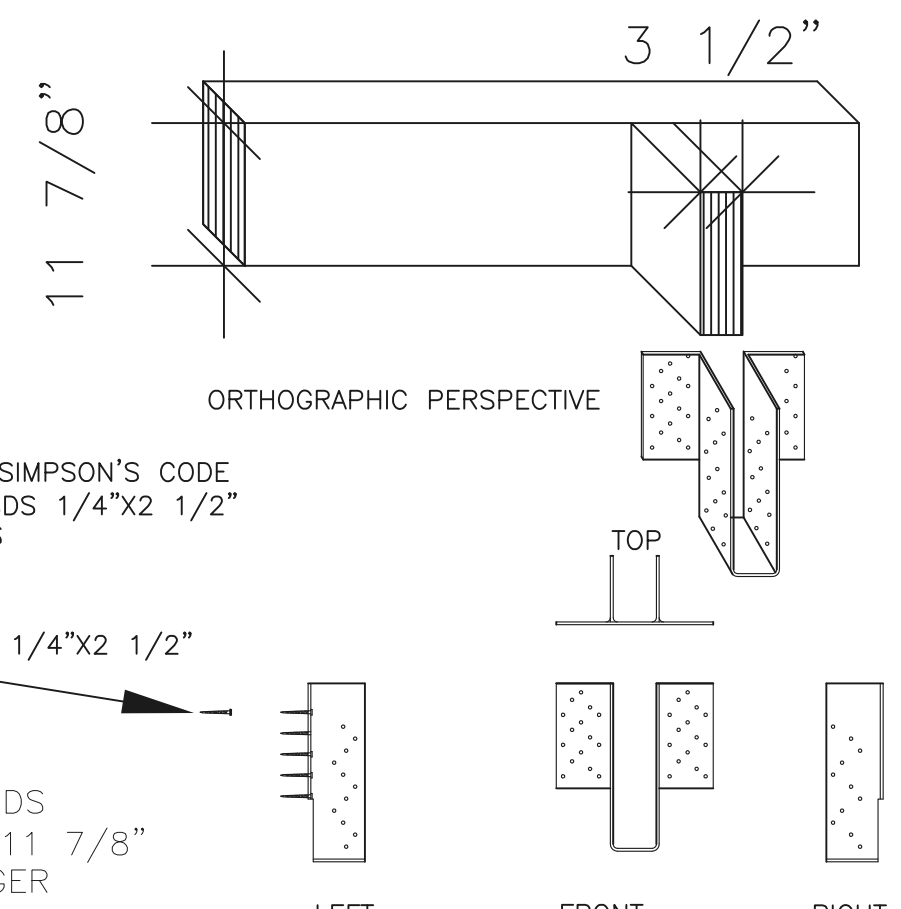
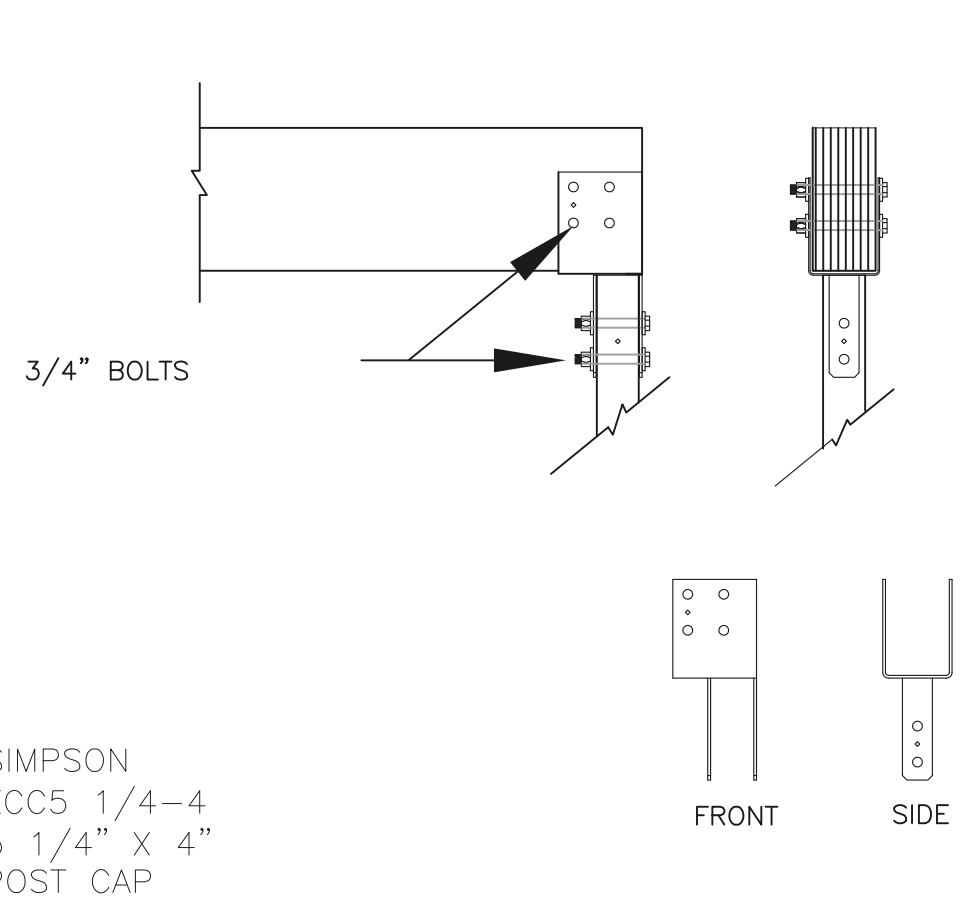


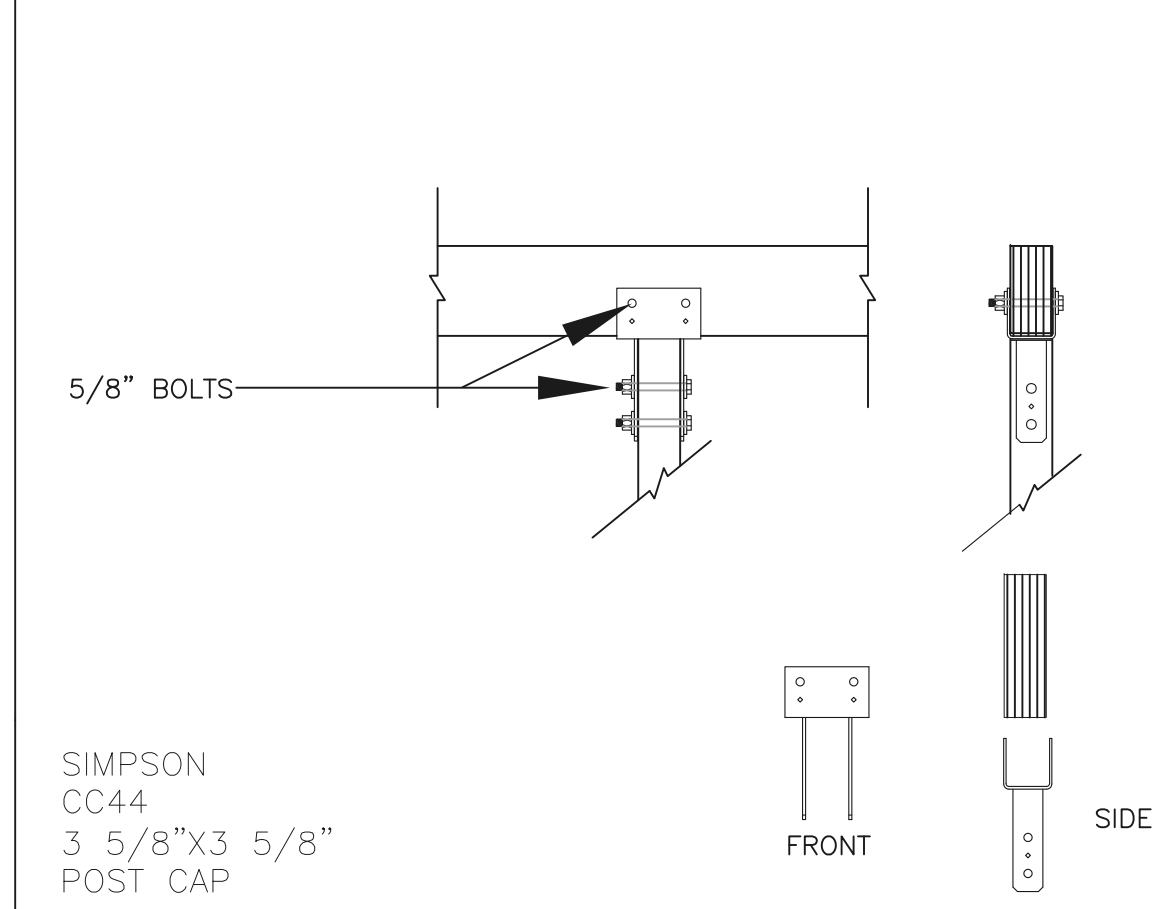
1
A6.1
DETAIL OF SIMPSON HGU5.50-SDS JOIST HANGER 5 1/4" X 11 7/8"
3/4"=1'-0"



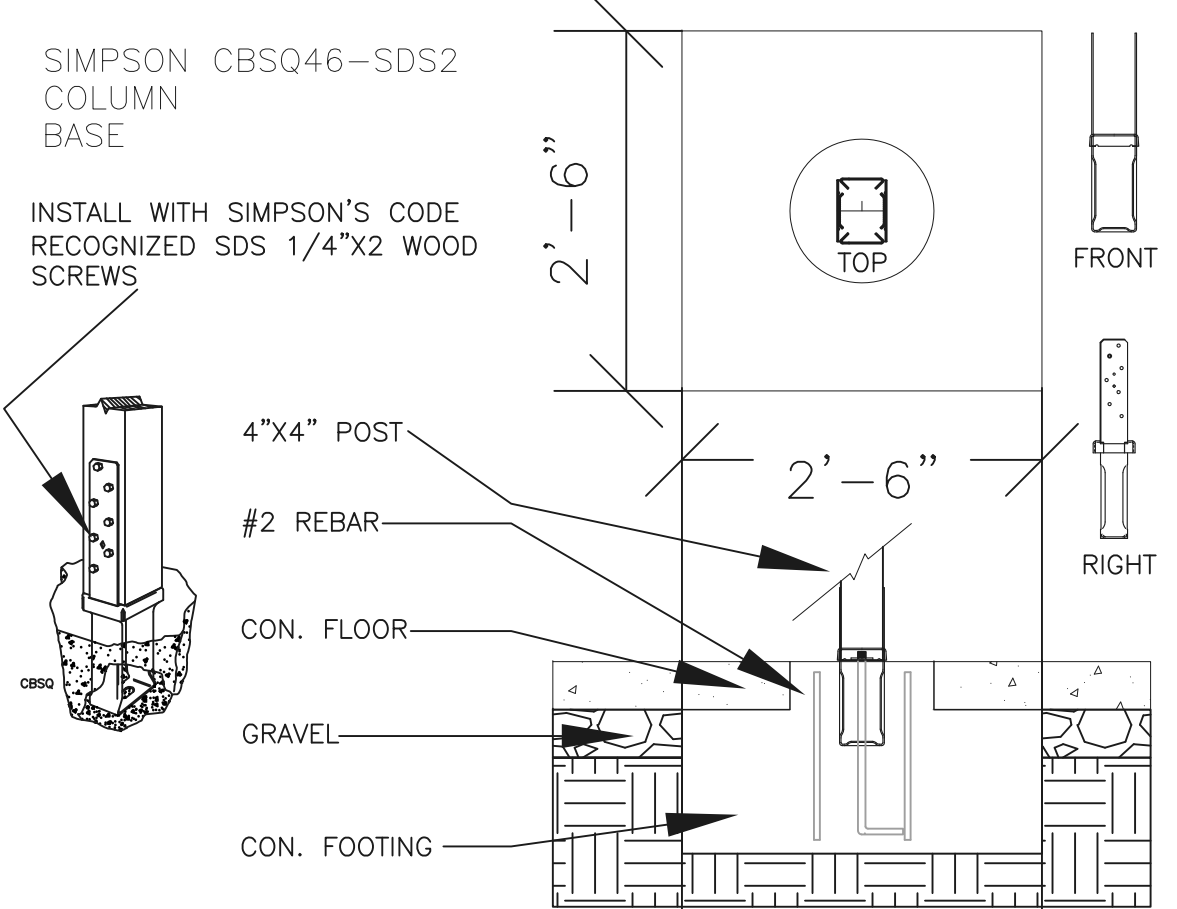
2
A6.1
DETAIL OF SIMPSON MGU3.63-SDS JOIST HANGER 3 5/8" X 11 7/8"
3/4"=1'-0"



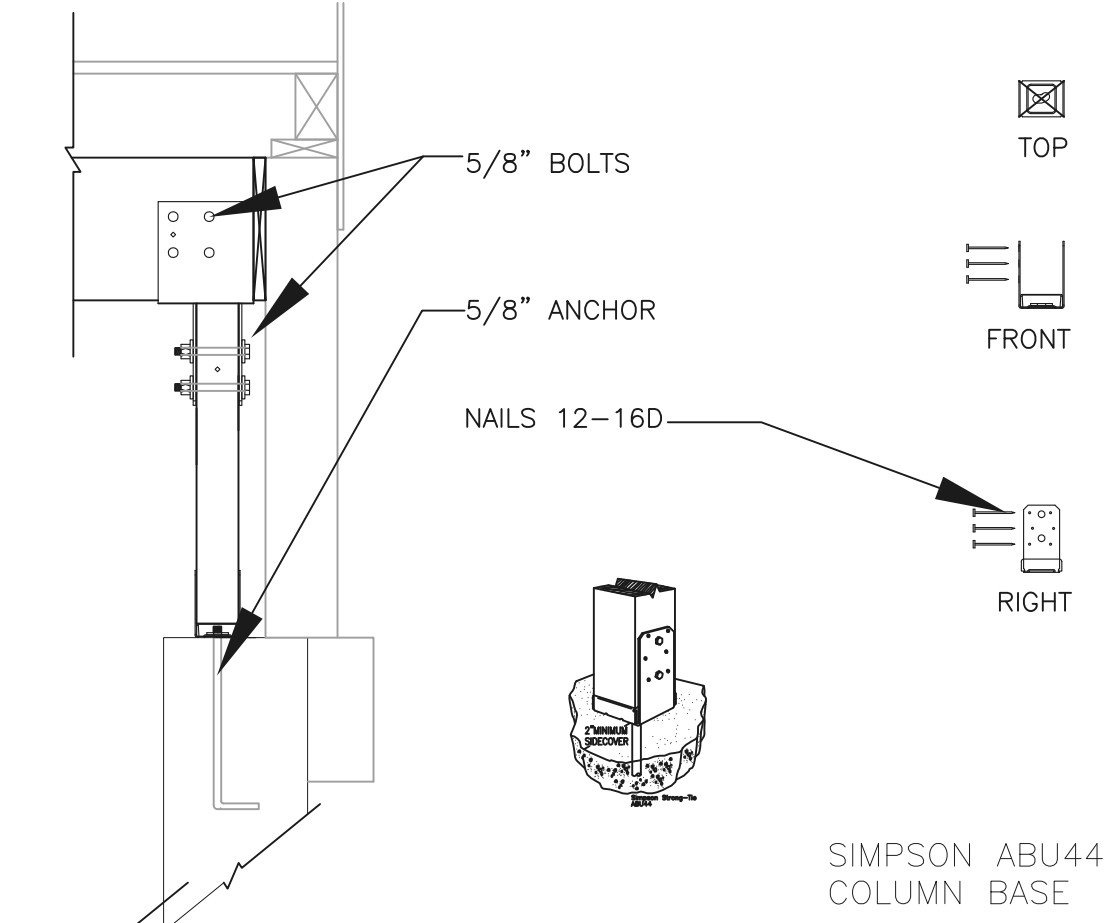
3
A6.1
DETAIL OF SIMPSON ECC5 POST CAP 5 1/4" X 4"
3/4"=1'-0"



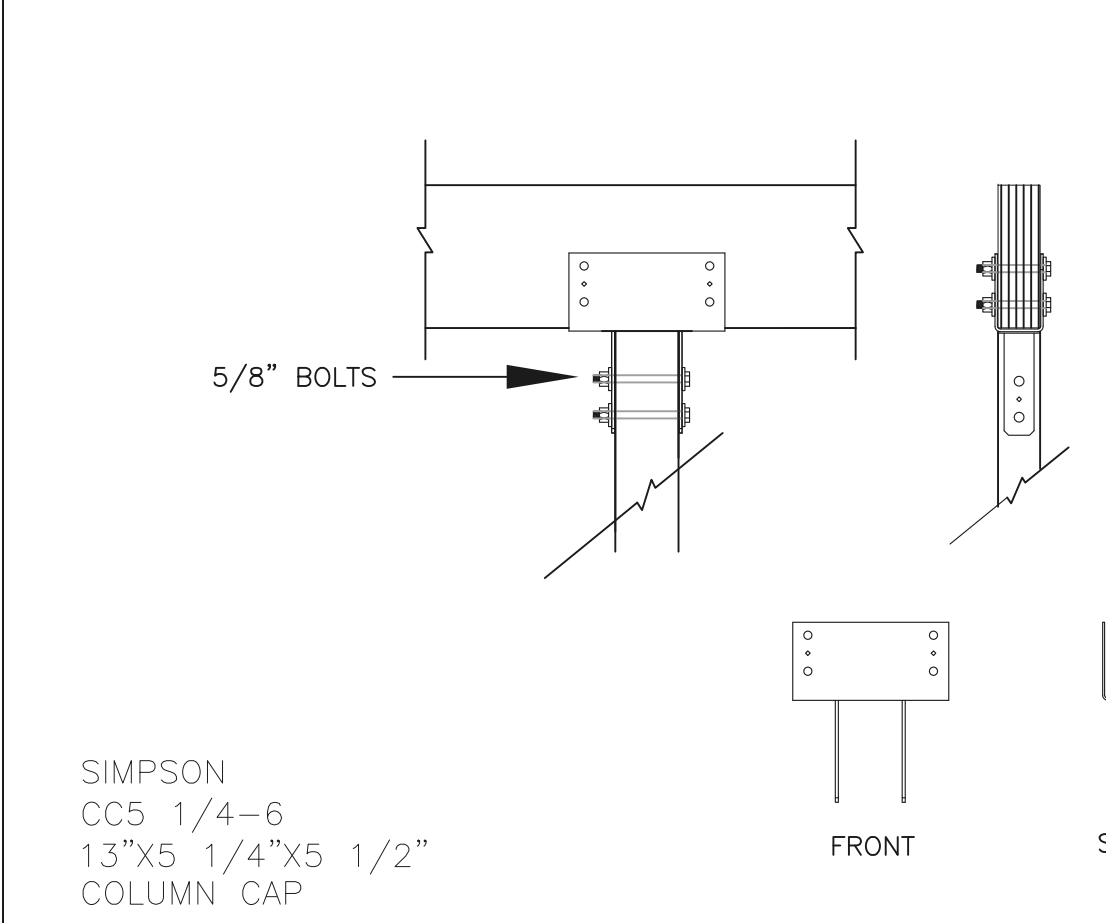
4
A6.1
DETAIL OF SIMPSON CC44 POST CAP 4"X8" X 4"
3/4"=1'-0"



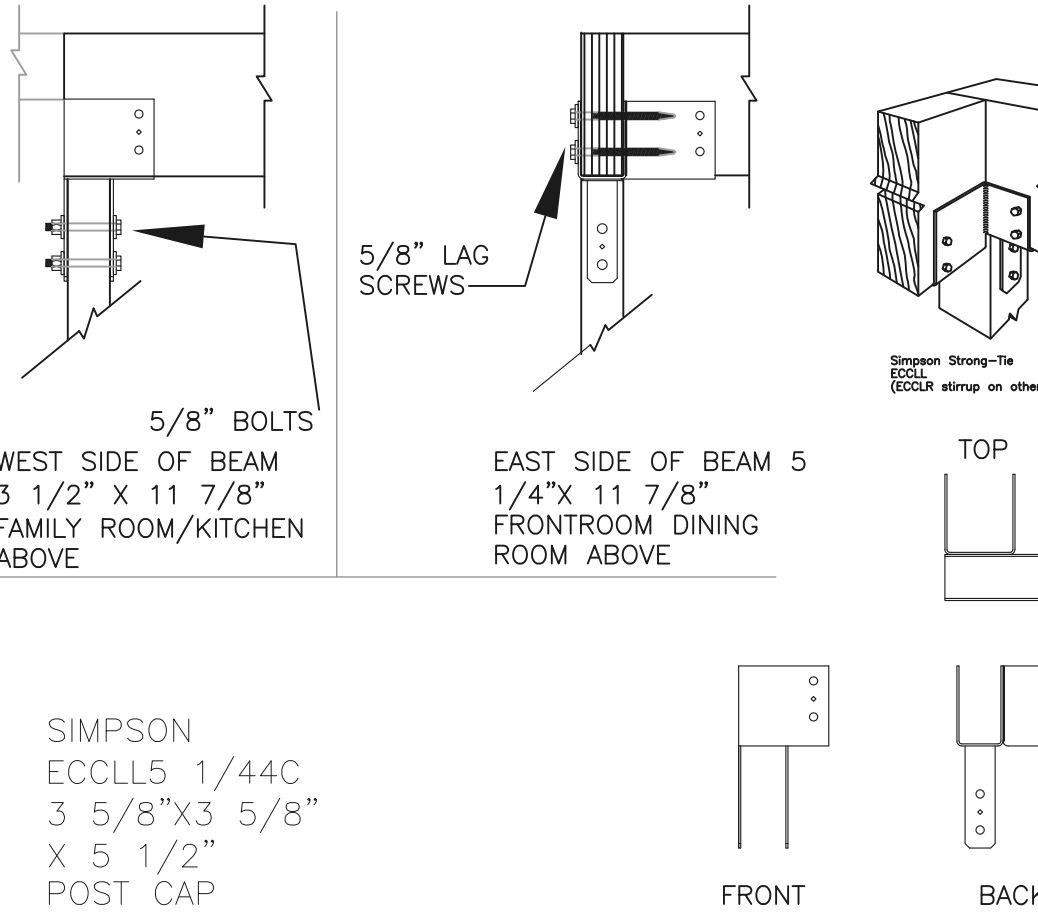
5
A6.1
DETAIL 2'-6" FOOTING WITH SIMPSON CBSQ44-SDS COLUMN BASE 4"X4"X8"
3/4"=1'-0"



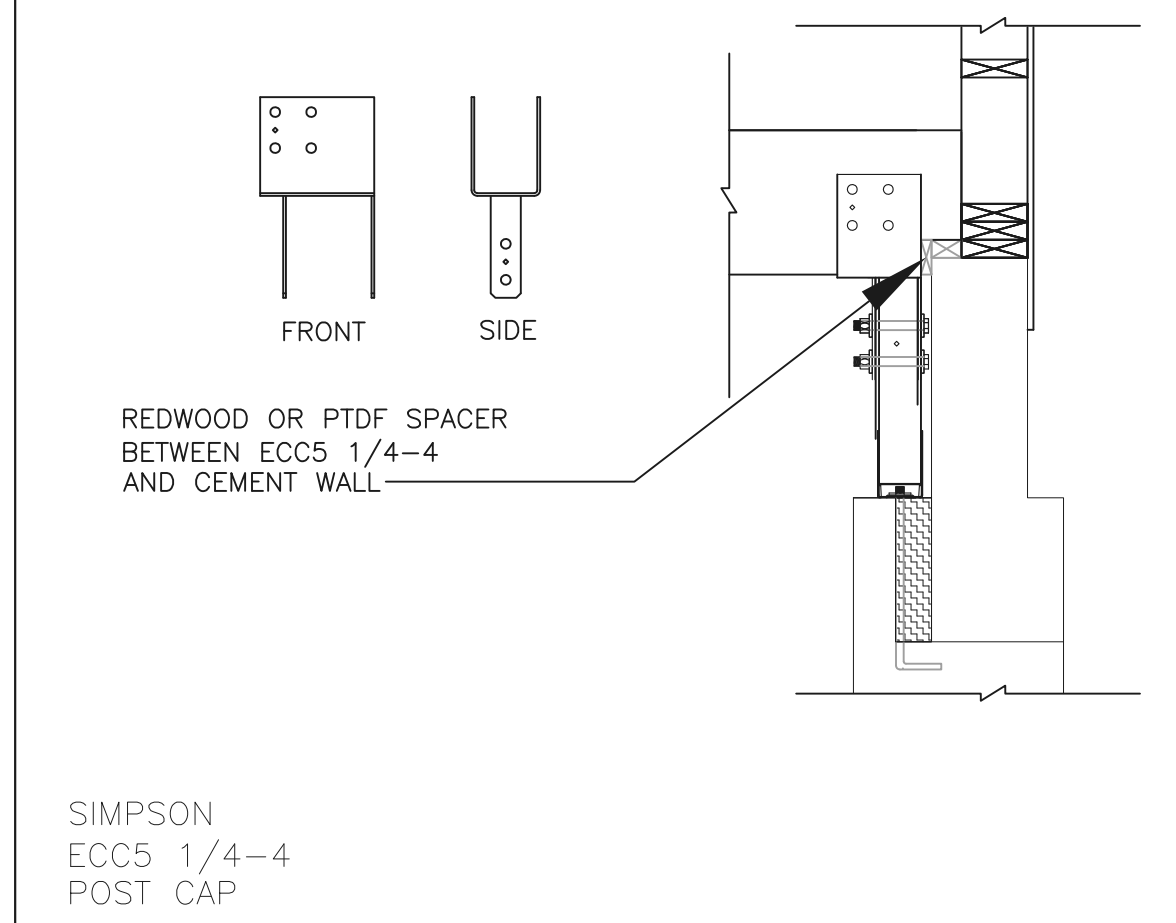
6
A6.1
DETAIL OF SIMPSON ABU44 COLUMN BASE 4X4
3/4"=1'-0"



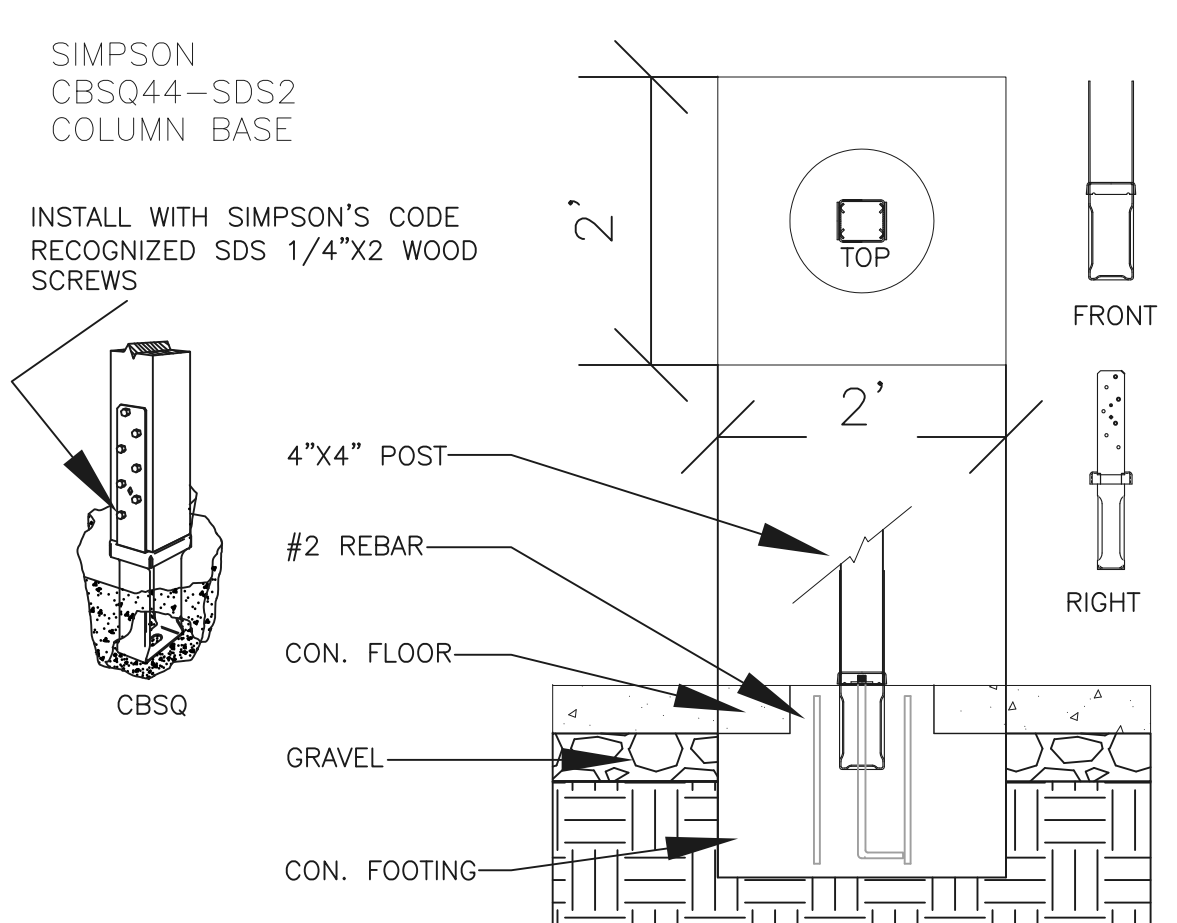
7
A6.1
DETAIL OF SIMPSON CC5 1/4-4 COLUMN CAP
3/4"=1'-0"



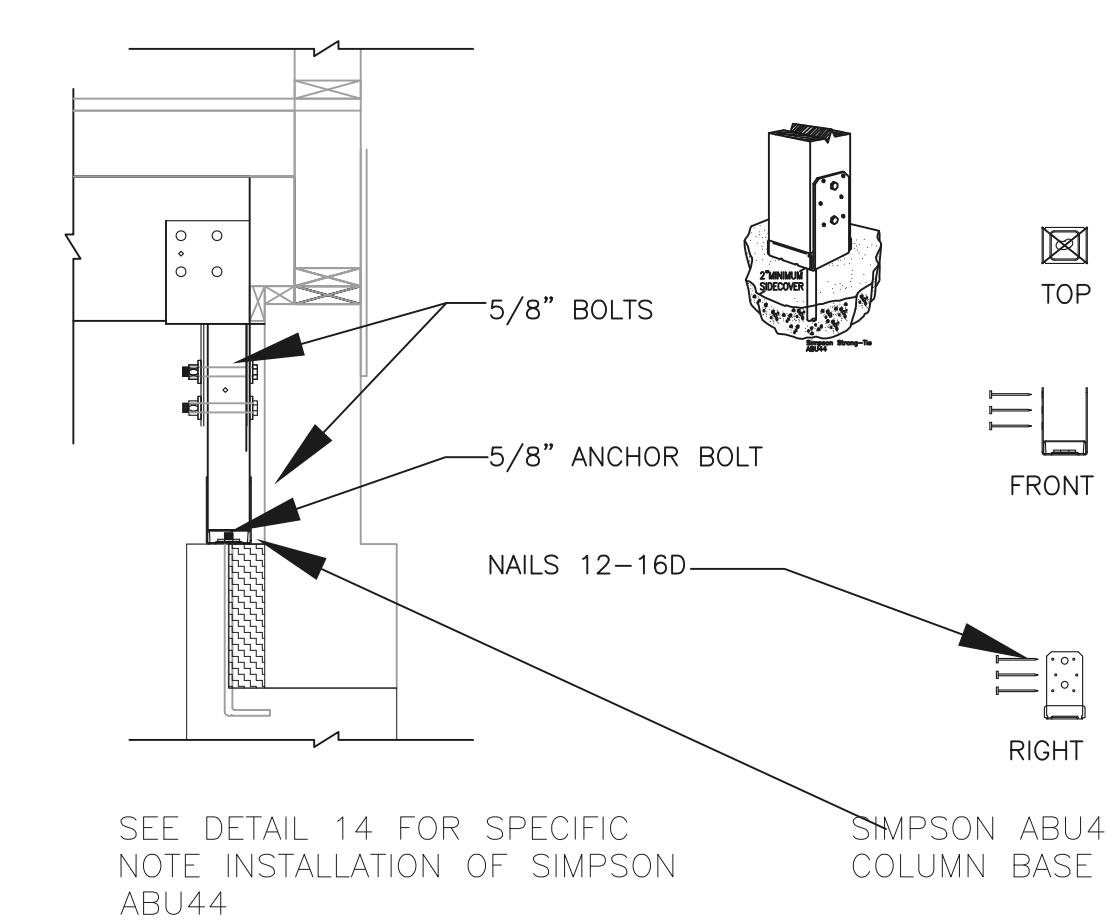
8
A6.1
DETAIL OF SIMPSON ECCL5 1/4 4C POST CAP 4"X8" X 4"
3/4"=1'-0"



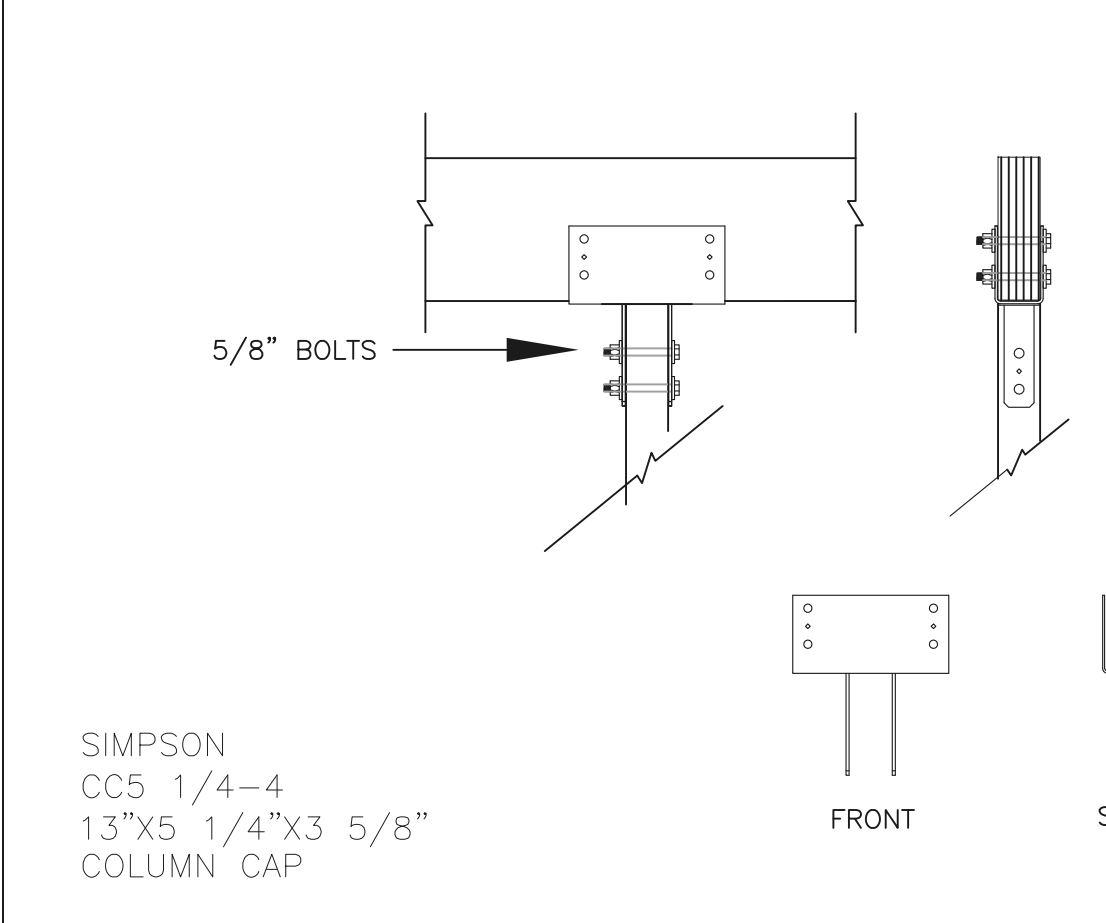
9
A6.1
DETAIL OF SIMPSON ECC5 1/4-4 POST CAP
3/4"=1'-0"



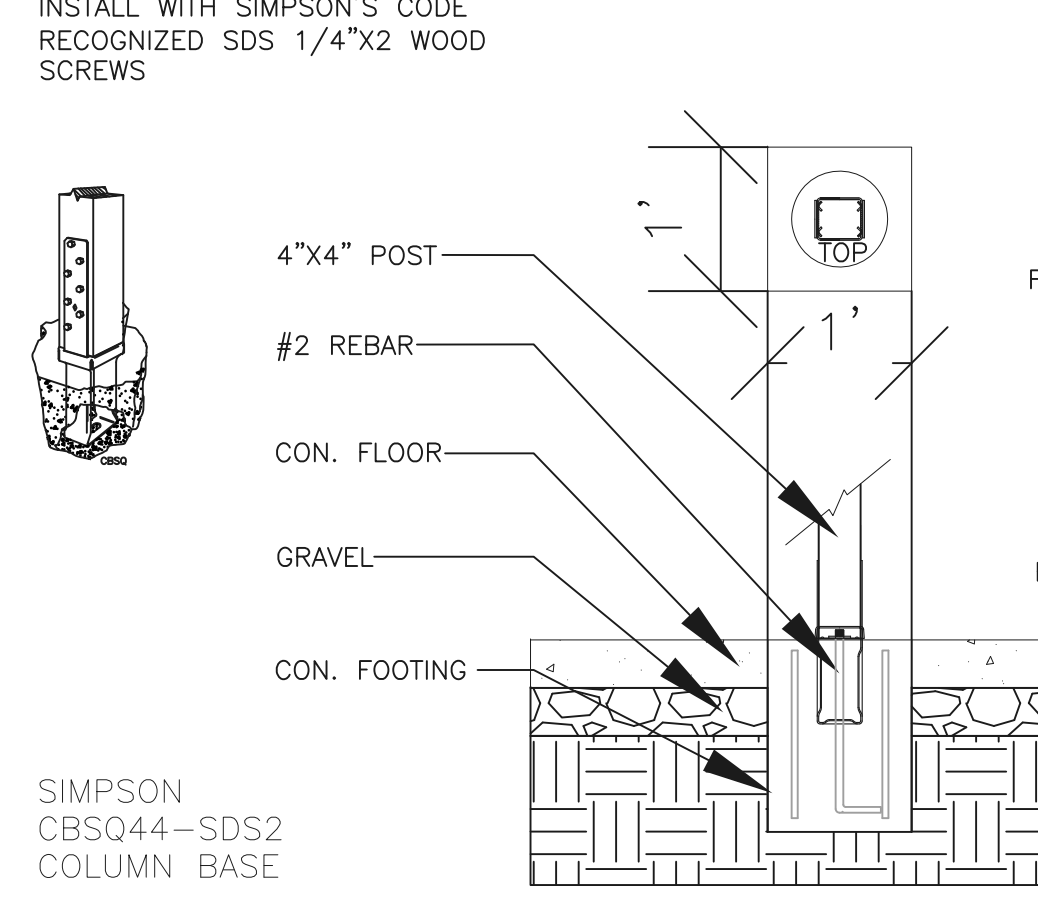
10
A6.1
DETAIL FOR 2' FOOTING OF SIMPSON CBSQ44-SDS2 COLUMN BASE 4"X4"X8"
3/4"=1'-0"



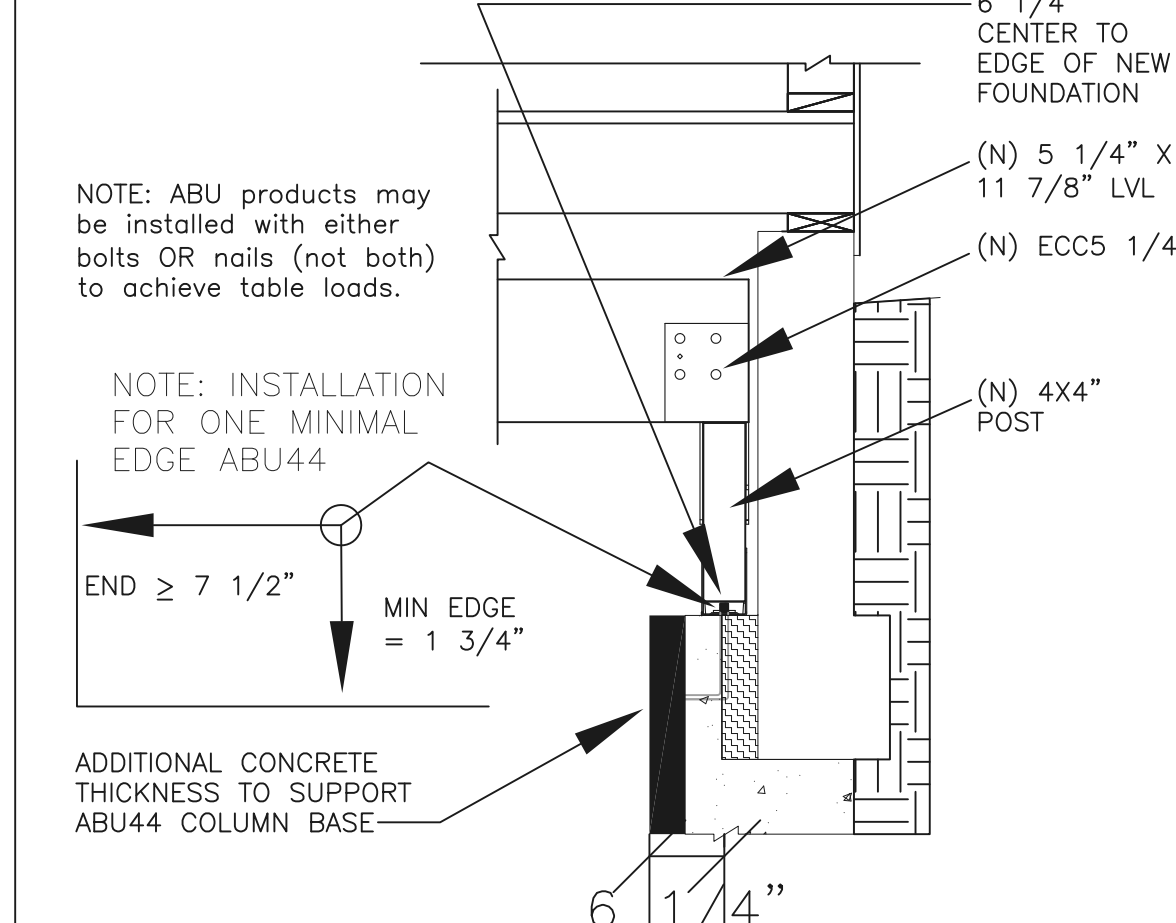
11
A6.1
DETAIL OF SIMPSON ABU44 WITH ECC5 1/4-4
3/4"=1'-0"



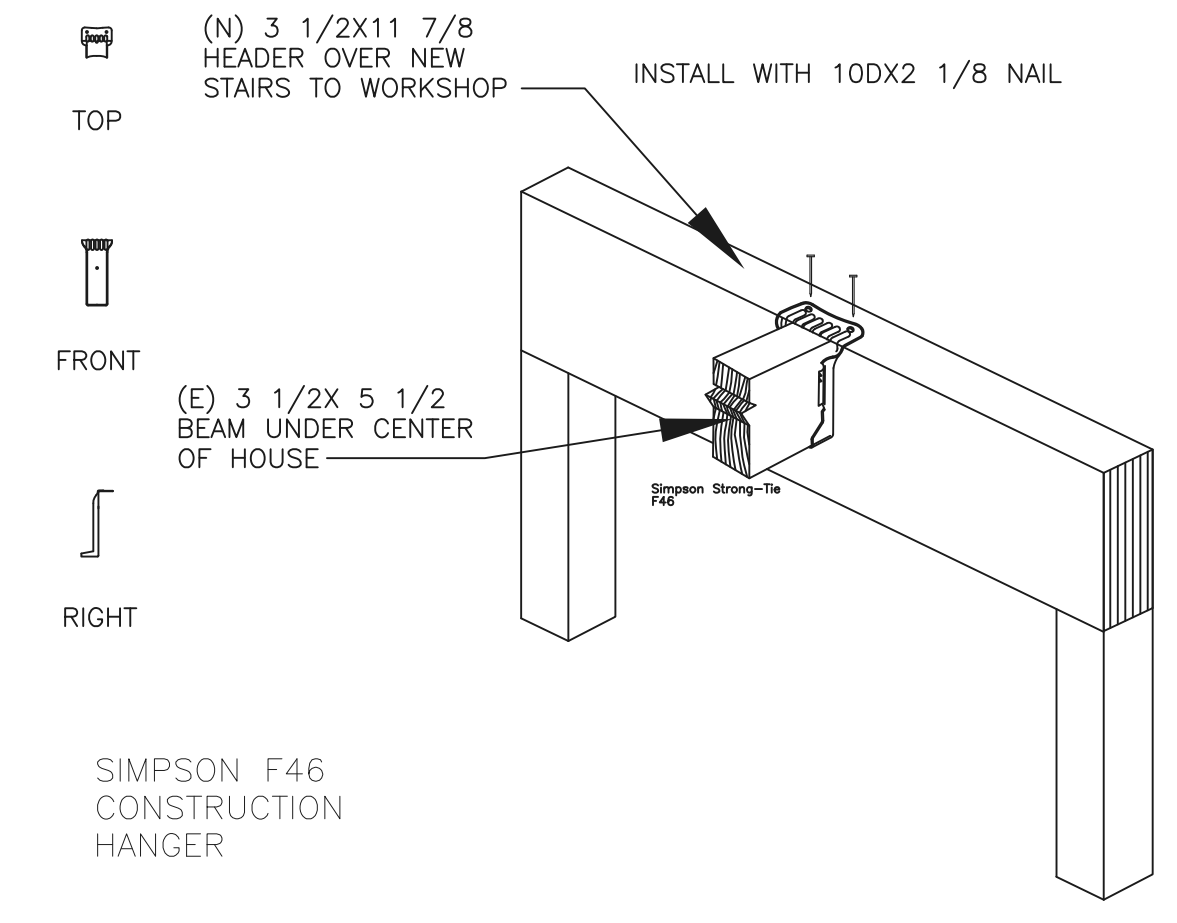
12
A6.1
DETAIL OF SIMPSON CC5 1/4-4 COLUMN CAP
3/4"=1'-0"



13
A6.1
DETAIL FOR 1' FOOTING WITH SIMPSON CBSQ44 COLUMN BASE 4"X4"X8"
3/4"=1'-0"



14
A6.1
DETAIL INSTALLATION ABU44
3/4"=1'-0"



15
A6.1
DETAIL INSTALLATION F46
3/4"=1'-0"

A6.1 3/4"=1'-0"

A6.1 3/4"=1'-0"

A6.1 3/4"=1'-0"

A6.1 3/4"=1'-0"

A6.1 3/4"=1'-0"

REVISIONS

No.	By	Date
△	ME	03.07.07
△	ME	03.12.07
△	ME	04.06.09

DATE: 02.15.2007
DRAWN: ME
SCALE: AS SHOWN
JOB# 2006-01
SHEET NAME:
DETAILS - ENGINEER #2

C:\MARK EHRMANN\7455 BLOSSOMWOOD AVE NEW SHOP\PERMIT SET\A3.1 ARCHITECTURAL DETAILS.dwg, mehrmann