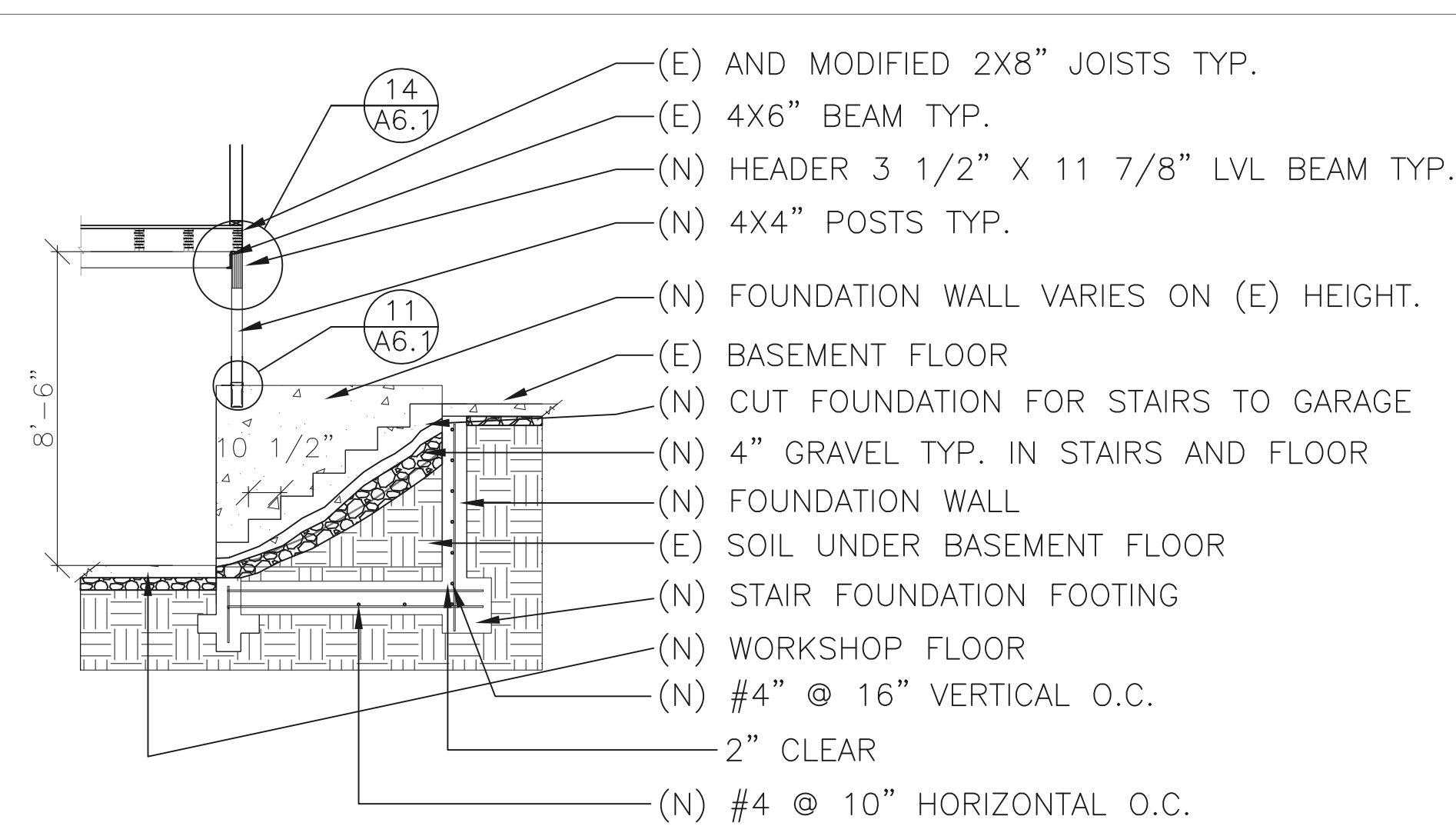
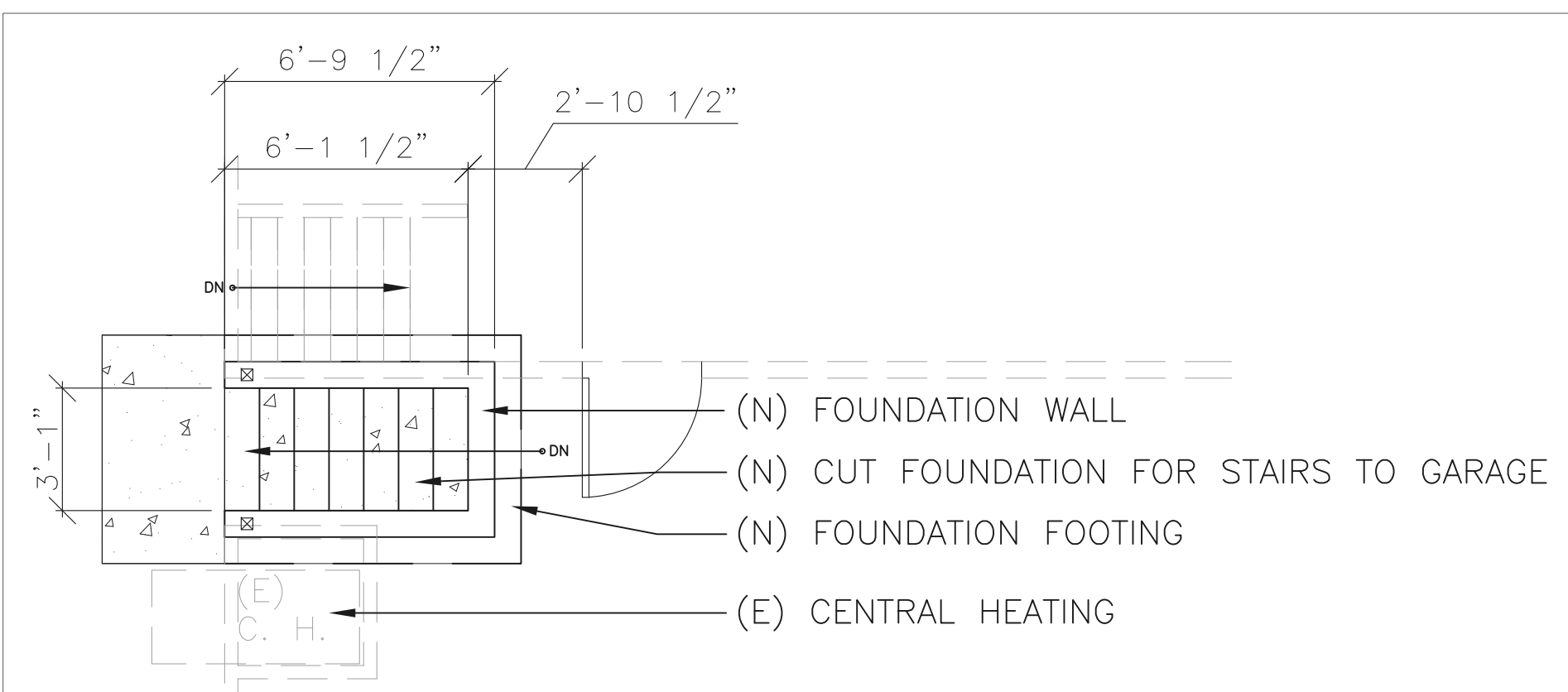


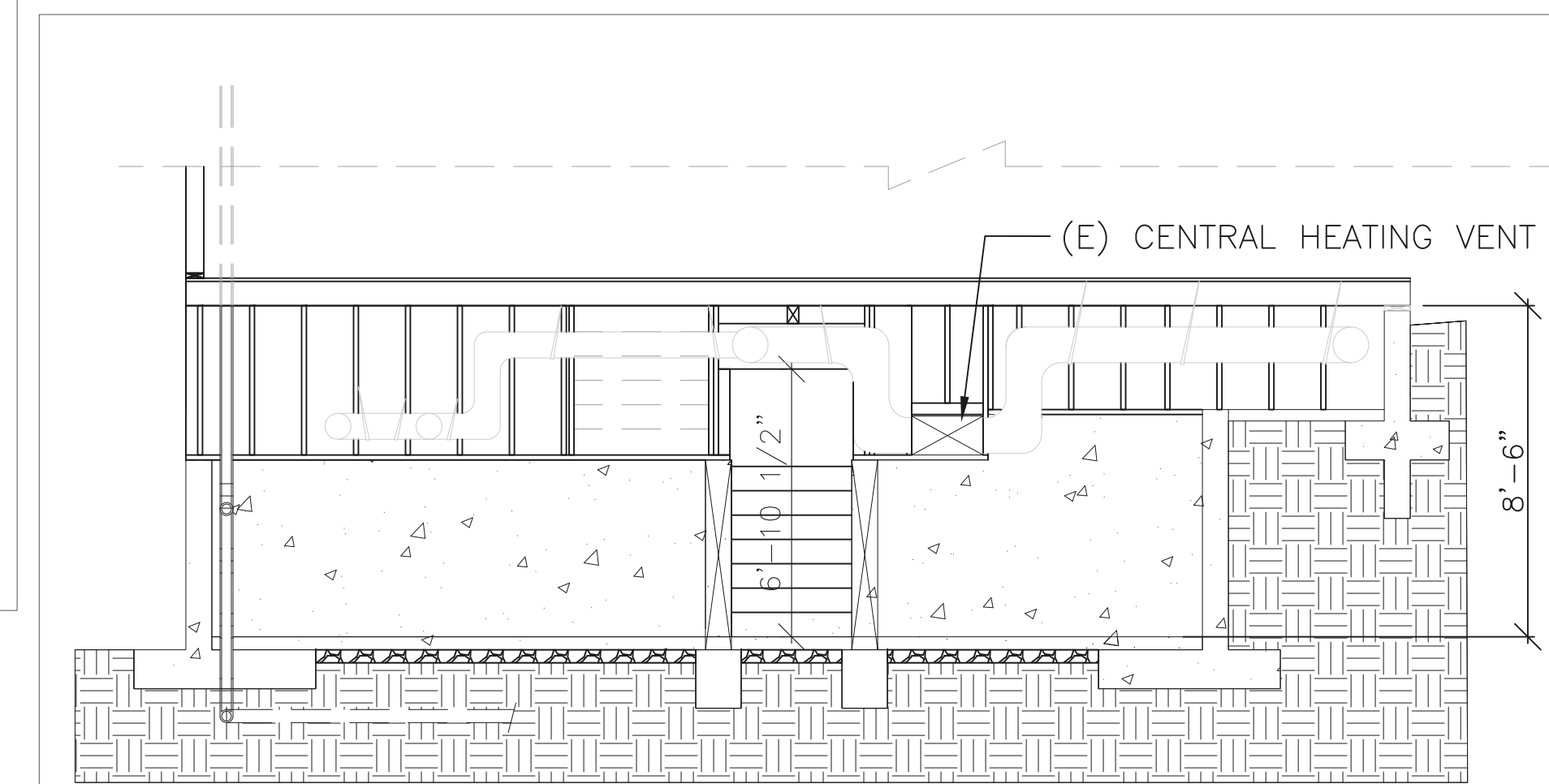
1 SECTIONS NORTH FOUNDATION/(N) STAIRS
A2.3 1/8"=1'-0"



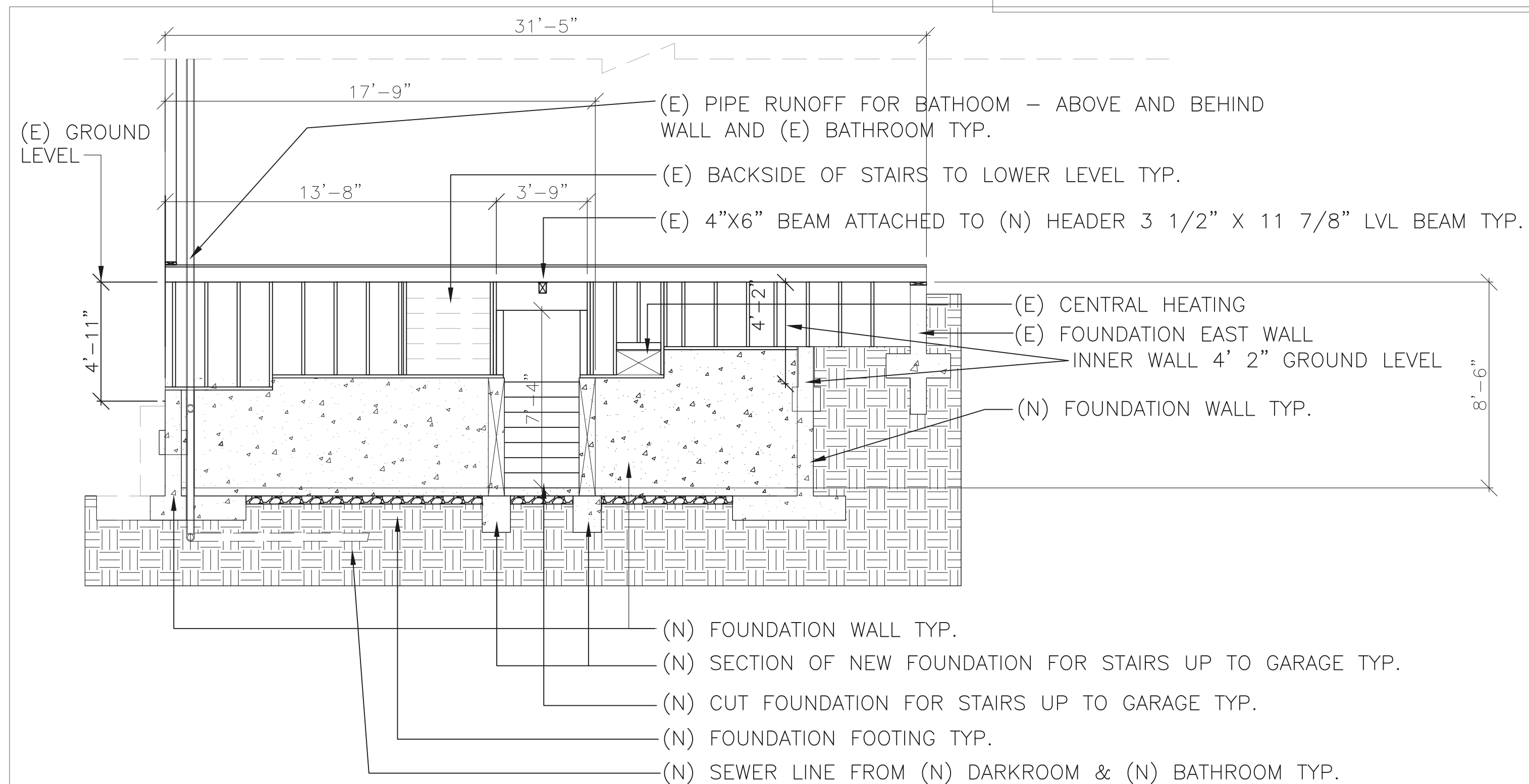
3 SECTION OF NORTH WALL NEW STAIRS TO WORKSHOP
A2.3 1/4"=1'-0"



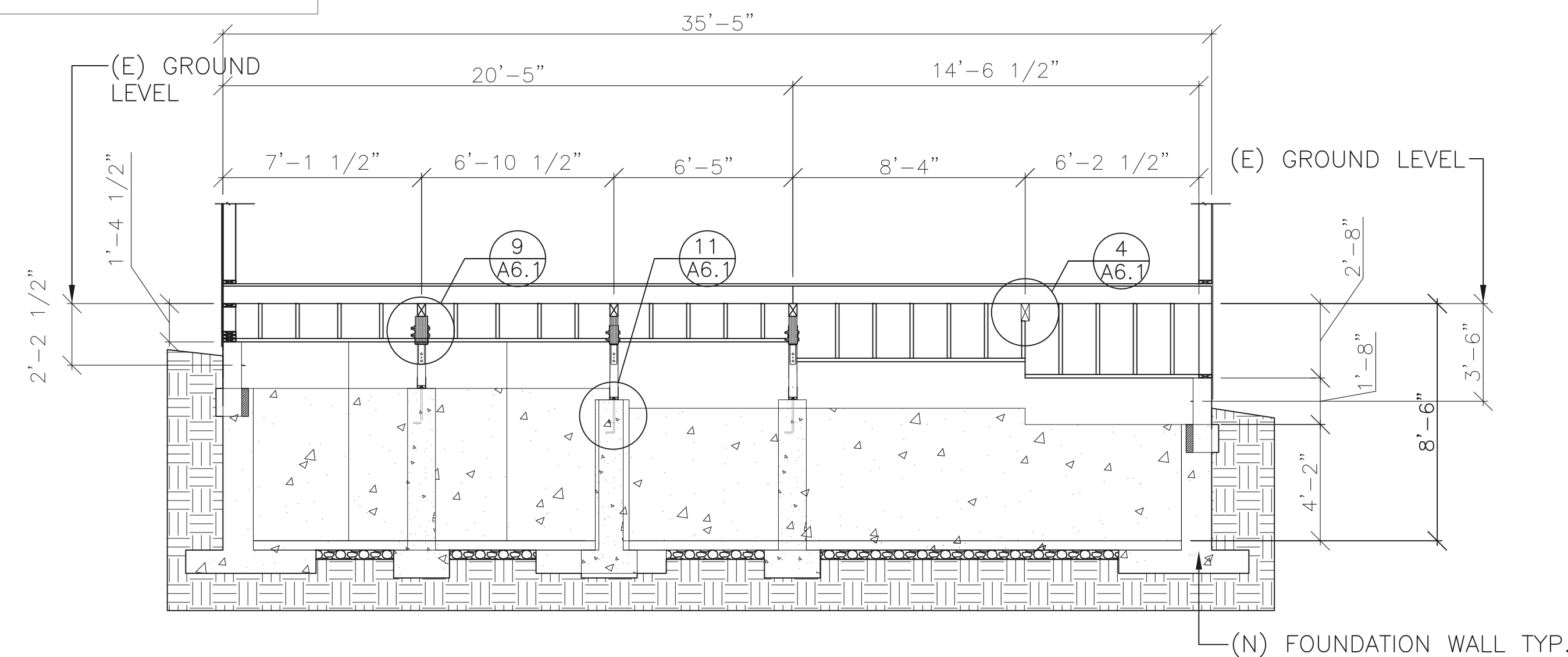
4 PLAN OF NORTH WALL NEW STAIRS TO WORKSHOP
A2.3 1/4"=1'-0"



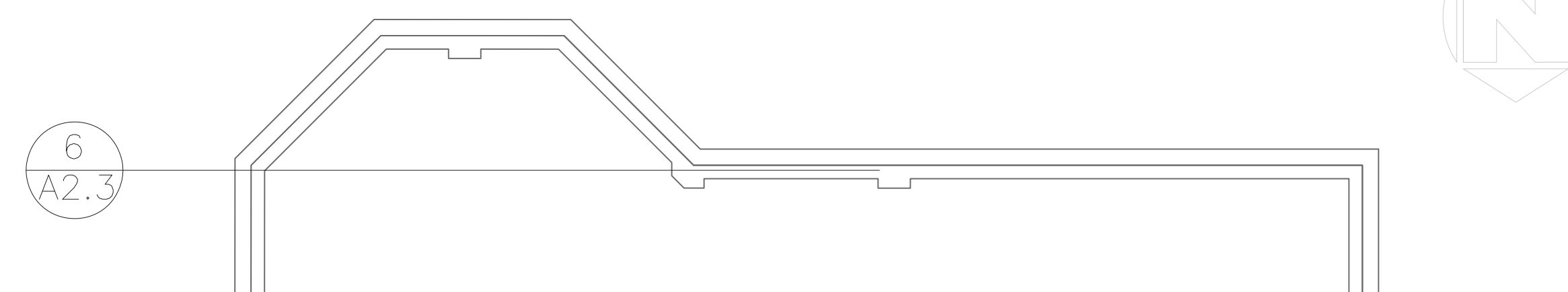
5 SECTION OF NEW CENTRAL HEATING DUCT
A2.3 1/4"=1'-0"



2 SECTION OF NORTH FOUNDATION WALL
A2.3 1/4"=1'-0"



6 SECTIONS OF SOUTH FOUNDATION WALL
A2.3 1/8"=1'-0"



6.3 A2.3

REVISIONS

No.	By	Date
△	ME	03.07.07
△	ME	03.12.07
△	ME	04.06.09

DATE: 02.15.2007

DRAWN: ME

SCALE: AS SHOWN

JOB# 2006-01

SHEET NAME:

SECTIONS - ENGINEER #2 FOUNDATION

SHEET NUMBER

OF SHEET